

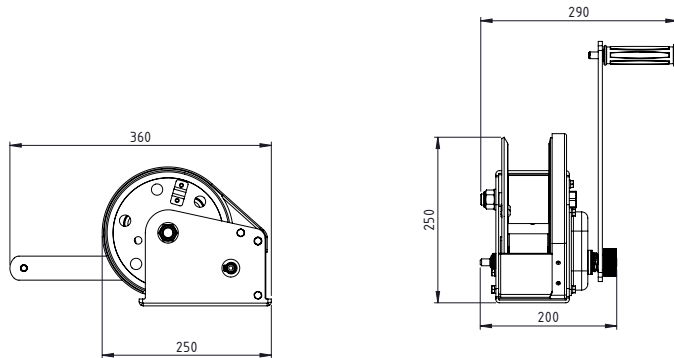
FALLSOFT™ - Boom Arm and Winches

Product Code: GM-193 Boom Arm Kit

Model: GM193 Boom Arm

Retrieval Boom Arm with variable offset positions:

16", 20", 25" & 30". Comes with mounting bracket for connection of winch or SRL. Rotates 360 degrees around the GM200A Tie Off Mast.



Model: GM193 Boom Arm Winch Kit A

Includes:

Personel Winch and mounting bracket to bit the GM 193 Boom Arm. Options of 60ft and 100ft in Galvansied Steel, Stainless Steel and UHMPE Syntheic Rope.



Model: GM193 Boom Arm Winch Kit B

Includes:

SRLR and mounting bracket to bit the GM 193 Boom Arm. Options of 60ft and 100ft in Galvanized Steel.



Model:
GM193 Boom Arm
& GM200A

Custom winch mounting brackets can be designed and fabricated to suit other manufacturers of winches and SRL's