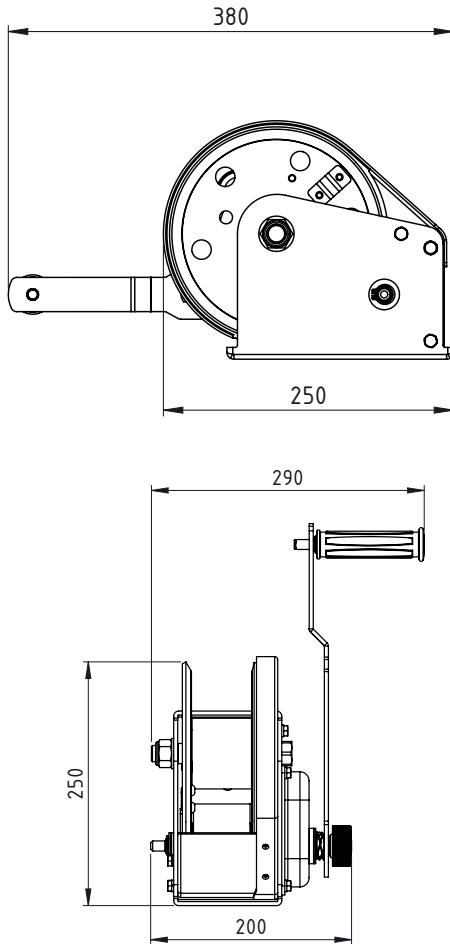


## Hand Winch - Technical Sales Sheet: 48

**Product Code:** 40401/40408

**Standards:** EN13157:2004+A1:2009



40401/40408 - Hand Winch with mounting bracket kit

Each unit comes fully certified with a test certificate or an EC Declaration of Conformity stating compliance with the essential health and safety requirements of the Machinery Directive 2006/42/EC.

### Product Features

- High quality heat treated steel gears, chassis and drum
- Slotted handle
- Protected gear drive
- Covered brakes
- Automatic load actuated brake
- Holds load in any position
- Durable powder coated finish
- One-man setup
- Quick mount bracket with SafePod tripod
- Attaches to tripod with 2 locking safety pins
- Winch may be installed on any leg of the tripod
- Anti-release safety system

### Product Specification

- 5mm 7x19 galvansied steel cable
- User capacity: 140kg
- Drum capacity: 20m / 35m Drum Capacity
- Goods lifting capacity 550kg
- Goods lifting capacity final drum layer:275kg
- Goods capacity: 550kg
- Mechanical advantage 5:1
- Weight: 20m:10.5kg / 35m:12kg



Safehold - Hand Winch

Model

SH-W01/W02



Cert No. -9976-QMS-001

ISO 9001:2015

Description: Hand Winch

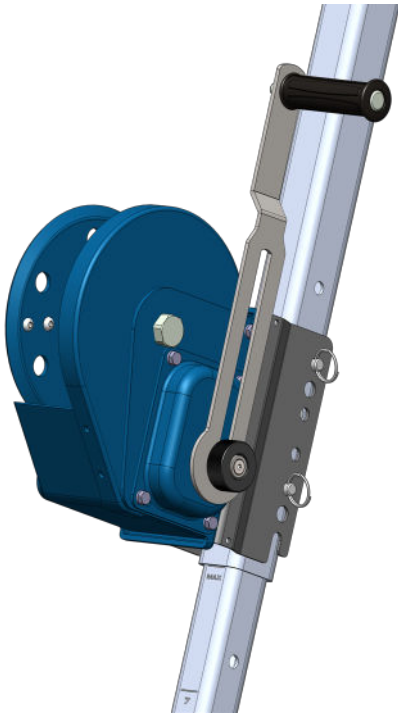
## Hand Winch - Technical Sales Sheet: 48

**Product Code:** 40401/40408

**Standards:** EN13157:2004+A1:2009

**Example Setup:**

- 40301 - SafePod SP1
- 31001 - Sentinel Recovery
- 40304 - Sentinel Bracket
- 40401 - Hand Winch
- 40404 - Hand Winch Bracket



Product Code	Description
40401	SH-W01 - 20m hand winch
40408	SH-W02 - 35m hand winch
40404	SH-BW - Bracket to fit 20m / 35m hand winch to SafePod



Safehold - Hand Winch

Model

SH-W01/W02



Cert No. -9976-QMS-001

ISO 9001:2015

**Description: Hand Winch**