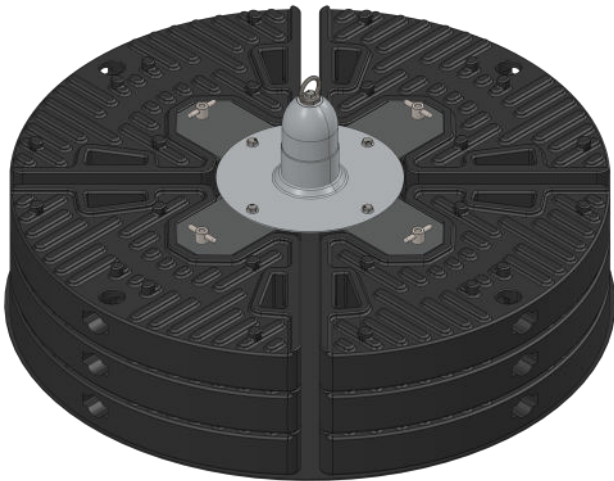


Mobile Man Anchor - Technical Sales Sheet: 66

Product Code: 40001, 40020, 40021

Standards: EN795:2012



Product Features

- Suitable for fall restraint and fall arrest
- Suitable for wet and dry conditions
- Small footprint
- Rapid single user installation
- Packs down to a small size for easy storage
- Weights have built in handles for easy assembly
- Non-penetrative - ideal for older buildings
- Made from recycled and recyclable materials
- Comes with ground mat (see overleaf for specifications)

Product Specification

- Total weight: 300kg
- Single weight: 24kg
- SRL swivel bracket weight: 1.3kg
- Fall arrest user capacity: 140kg (single user)
- Fall restraint: 200kg (2 users)
- Maximum roof pitch: 5 degrees
- See overleaf for further details on roof requirements.

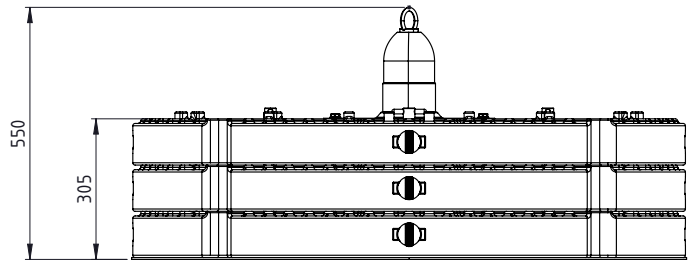
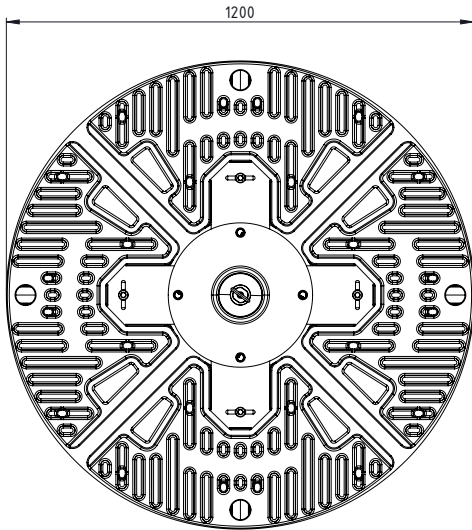


	Mobile Man Anchor		<p>ISO 9001:2015 Cert No. -9976-QMS-001</p>
	Model	SHMMA/SHSB	
Description: Steel mobile man anchor			

Mobile Man Anchor - Technical Sales Sheet: 66

Product Code: 40001,
40020, 40021

Standards: EN795:2012

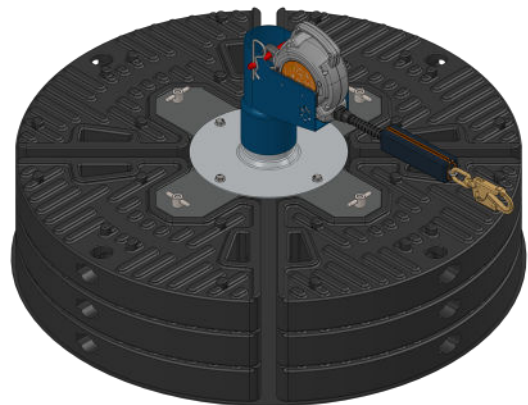


Roofing Materials

- Single ply membrane
- Single ply bitumen membrane with stone covering
- Single ply membrane Bitumen
- Concrete deck

Matting Specifications

- Material: natural elastomer (N02)
- Colour: black
- Hardness: 70 shore a
- Operating temperature: -20°C to +70°C



Example setup with Sentinel SRL swivel
(Product code: 40001)

Product Code	Description
40001	SHMMA - Steel mobile man anchor with Sentinel SRL swivel.
40020	SHMMA - Steel mobile man anchor with swivel eye only.
40021	SHSV- Swivel bracket to attach Sentinel SRL block



Mobile Man Anchor

Model

SHMMA/SHSB



Cert No. -9976-QMS-001

ISO 9001:2015

Description: Steel mobile man anchor