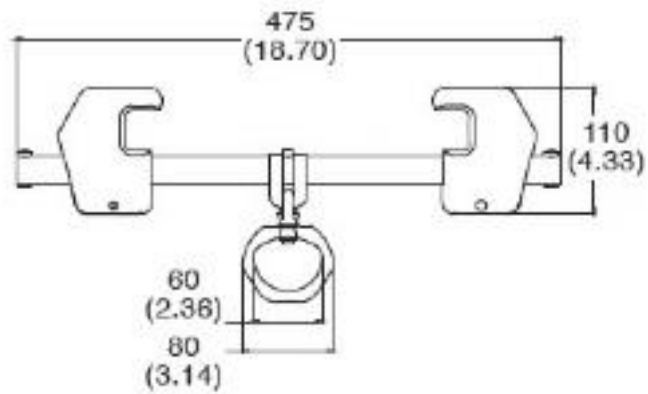


**USER INSTRUCTION AND
WARNING INFORMATION FOR N-800 & 40013**

SHBS-01 Beam Slider Clamp – 102mm to 330mm Single User 140kg



mm (inch)

USER INSTRUCTION AND WARNING INFORMATION FOR N-800 & 40013

SHBS-01 Beam Slider Clamp – 102mm to 330mm Single User 140kg



Warning : Working at height is a very dangerous activity which may lead to severe injury or fatality. We advise that you personally assume the responsibility to learn the use and the safety measures that apply to this equipment. Remember that there is no better "instruction" than that of a trained instructor. Train in the use of this tool, verify that you have fully understood how it works and if in any doubt, please ask competent person!

Don't make any alterations or additions to the equipment without the manufacturer's prior written consent.

Any repair shall only be made by the manufacturer.

The products shall not be used outside its limitations, or for any purpose other than that for which it is intended.

It is essential for the safety of the user that if the product is re-sold outside Taiwan, the reseller shall provide instructions for use, for maintenance, for periodic examination and for repair in the language of the country in which the product is to be used.

If there is reason to doubt your fitness to safely absorb the shock from a fall arrest, please consult your doctor. Age and fitness seriously affect a worker's ability to withstand falls. Pregnant women or minors must not use YOKE hooks or carabiners.

1. GENERAL USE INFORMATION

The anchor device is essential for your safety so we recommend that you :

*assign it to an individual user whenever possible:

*check it before each use, in particular for:

- Deformations
- Signs of wear
- Correct locking system operation.

If you are in any doubt whatsoever about the safe condition of this product or if the anchor device has been used to arrest a fall, it is essential for safety that it is withdrawn from use.

Ensure that the instructions for other components used in conjunction with these products are complied with as stated by the **Regulation (EU) 2016/425.**

Note that a full-body harness is the only acceptable body-holding device that can be used in a fall arrest system. When the anchor device is used as part of a fall arrest system, the user shall be equipped with a means of limiting the maximum dynamic forces exerted on the user during the arrest of a fall to a maximum of 6kN.

The anchor device or anchor point should always be positioned, considering both the height of fall and the extension of the rope in order to avoid possible obstructions (i.e.the ground). Be sure that the anchorage strength corresponds to min. Breaking loaded to **23 kN.**

YOKE AND SAFEHOLD PRODUCTS ARE MADE IN ACCORDANCE WITH EUROPEAN STANDARD NO. EN795:2012. TYPE B

2. RESCUE PLAN

It is important to make plan for a rescue in the event of a fall BEFORE starting to work. Ensure that a rescuer plan is discussed with a competent person and that this plan takes into account:

- Dangers from swing falls
- Avoidance of exposure of connecting components to sharp edges
- Removal from service for any components subject to a fall.

It is also important to ensure that the employer has a documented rescue plan and has the ability to implement it.

3. COMPATIBILITY

When used as part of a PPE system against falls from a height, this anchor device must be connected to a compatible connection (example: a correct D-Ring). It is important to ensure compatibility in order to avoid possibility of roll-out or disengagement.

Only one personal protective system can be attached to this anchor device. This anchor device is designed for use by one person only.

Ensure that proper fall clearance exists in order to prevent striking ground or other objects in the event of a fall.

Note: a anchor device is considered to have a compatible connection when the anchor devices have been designed to work together and that their shape/size do not cause gates to inadvertently open. All connections must fully close and lock.

4. MEANING OF MARKING AND / OR SYMBOLS:

Manufacturer name or abbreviation name: **YOKE or Y**

YOKE Item number: **e.g. N-800**

Force information: **e.g. 23kN / 5000lbs**

Year code of manufacturing year : 2 digits, **e.g. 16**

Batch number: 3 Capital letters, **e.g. NBB**

Standard: **EN795:2012 B**

Major axis strength : \longleftrightarrow 23 kN



***User must read,
understand and observe
these instructions for use.***

Make sure markings on products are legible. The marking of item number and batch number can be cross-referenced to the Test Certificate issued by YOKE.

5. MAINTENANCE, SERVICING AND STORAGE.

Cleaning : If soiled, rinse in clean water (maximum temperature 40°C) with mild neutral detergent. When the equipment becomes wet, either from being in use or when due to cleaning, it shall be allowed to dry naturally, and shall be kept away from direct heat.

Lubrication : Lubricate mobile parts (e.g. spring and rivet) with a silicone based lubricant only. This should be carried out after cleaning and drying. Avoid any oil contact with textile parts.

Storage : During transportation or after any necessary cleaning, drying and lubrication, store unpacked in a cool, dry, dark place in a chemically neutral environment away from excessive heat or heat sources, high humidity, sharp edges, corrosives or other possible causes of damage. Do not store wet. Avoid U.V. radiation, and salt environments.

Service Life: It is very difficult to estimate obsolescence due to local use and storage conditions, however, the following may reduce the strength greatly and the lifespan to as little as one use: incorrect use, severe fall arrest, mechanical deformation, fall from a height on the anchor device, general wear and tear, gate malfunction, chemical contamination, heat contamination.

6. RECORDS (RECORD-CARD)

The product could be traced through Test Certificate issued by YOKE. The Test Certificate shows Model / type identification (i.e. Item Number), the name and contact details of the manufacturer, and means of identification (batch or serial number).

7. YOKE'S ANCHOR DEVICES USE AND MAINTENANCE

The anchor device you have just acquired is used to connect personal protective equipment to some other system component (harness, lanyard, fall arrester, anchorage point, etc.)

- a) The anchor device is designed to be used as an Anchor Device (**class B**). It is important that anchor device be secured to an anchorage point in such a manner that any force exerted will be along the major axis of the anchor device. Avoid situations where forces could be applied against the minor axis (See the last page of User Instruction and Warning Information section).
- b) When used as a **Class B** anchor device, the anchor device can be part of a subsystem and fixed so that forces would be exerted only along the major axis.

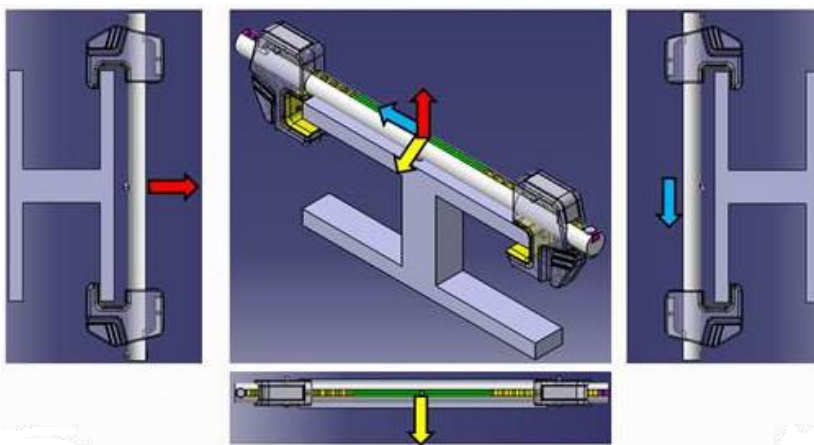
When employing an anchor device that has a manual closing gate (example – screw gate), it is recommended that it be used in situations that DO NOT require frequent attachment and removal during a working period.

Care should be taken to avoid loading an anchor device across its gate (see the last page of User Instruction and Warning Information section).

When assessing the appropriateness of a fall arrest system, the length of this anchor device should be taken into consideration concerning all distance.

Before first use it is recommended to check carefully that the equipment is compatible with the other system components.

The maximum loads that could be transmitted in service from the anchor device to the structure.



IT IS ESSENTIAL TO ENSURE BEFORE USE THAT THE RECOMMENDATIONS SPECIFIC TO EACH PART ASSOCIATED WITH THIS PRODUCT ARE COMPLIED WITH, AS SPECIFIED IN THE MANUAL.

IMPORTANT :

These instructions should be supplied to each person using this product. This anchor device must be inspected according to Yoke and Safehold instructions prior to each use by the user and at least once a year by the manufacturer or by an authorised person. The inspection should be recorded on the enclosed schedule.

Yoke and Safehold recommends that the anchor device be marked with the date of the next or last inspection.

Inspection Records and Schedule

Product Designation: A B T

Model / Type identification:

Batch number and year of manufacture:

Date of purchase:

Date first bought into use:

Inspection Record Date	Results	Name of Inspector	Signature	Next Inspect Due Date

Notified Body:

SATRA Technology Europe Ltd (2777)

Bracetown Business Park,

Clonee, Co. Meath

D15 YN2P

Ireland

Manufactured for Safehold Ltd by:



www.yoke.net

-- An ISO 9001 Certified Company --

YOKE INDUSTRIAL CORP.

#89, 33RD Road, Taichung Industrial Park
 Taichung 407, Taiwan
 Tel : 886-4-2350-8088
 Fax : 886-4-2350-1001
 E-Mail : yoke777@ms74.hinet.net



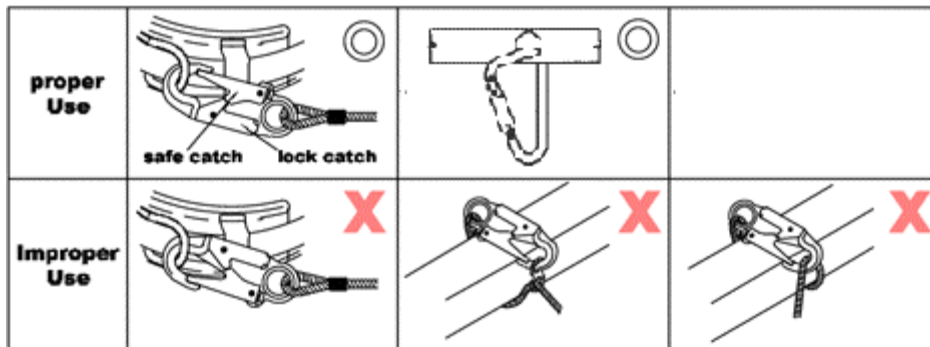
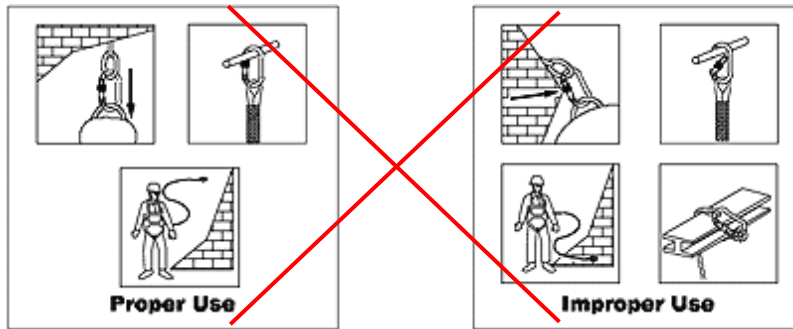
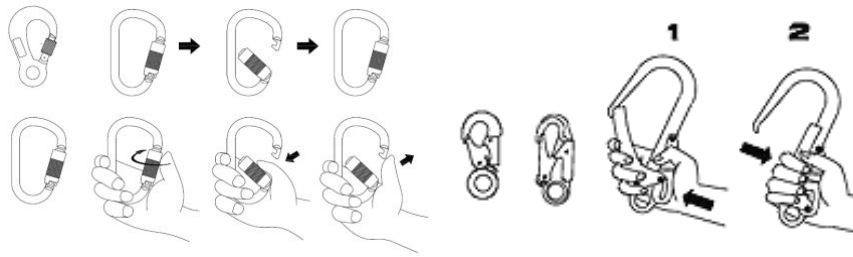
This instruction applies to the following models:

Description	Sample	Opening width	Material Item made from	Class Per EN795:2012
Beam Anchor	N-800	N/A	Aluminum	B

Additional model numbers may appear on the next printing of these instructions.

Chart for User Instruction and Warning Information

Application for Harness Safe Hook.



IMPORTANT :

Ensure that the anchorage point is above the user.

Avoid situation where force may be applied to the gate of a connecting device.

Ensure gate of connecting device closes properly

Avoid connections that would place force against the gate or locking lever of a connecting device.



www.yoke.net

-- An ISO 9001 Certified Company --

YOKE INDUSTRIAL CORP.
#39, 33rd Road, Taichung Industrial
Park Taichung 407 Taiwan
Tel: 886-4-2350-8088
Fax: 886-4-2350-1001
E-Mail: info@mail.yoke.net

EU DECLARATION OF CONFORMITY No. N-800

This declaration of conformity is issued under the sole responsibility of the manufacturer:

YOKE INDUSTRIAL CORP.

ADD: #39, 33rd Rd., Taichung Industrial Park, Taichung 407, Taiwan

TEL: +886-4-2350-8088 // FAX: +886-4-2350-1001

Model No. **N-800**

Product: **Adjustable aluminum beam anchor with single O-ring attachment fixed to a swivel.**

We hereby declare that the above-referenced product, to which this declaration relates, is in conformity with the provisions of:

- PPE Regulation 2016/425
- Standard EN 795:2012 type B
- And is identical to the PPE which is the subject of EU type-examination certificate No. **2777/25815-01/E00-00** issued and conformity (Module D) carried by

SATRA Technology Europe Ltd (N.B. 2777)
Bracetown Business Park,
Clonee, Co. Meath
D15 YN2P
Ireland

YOKE INDUSTRIAL CORP.

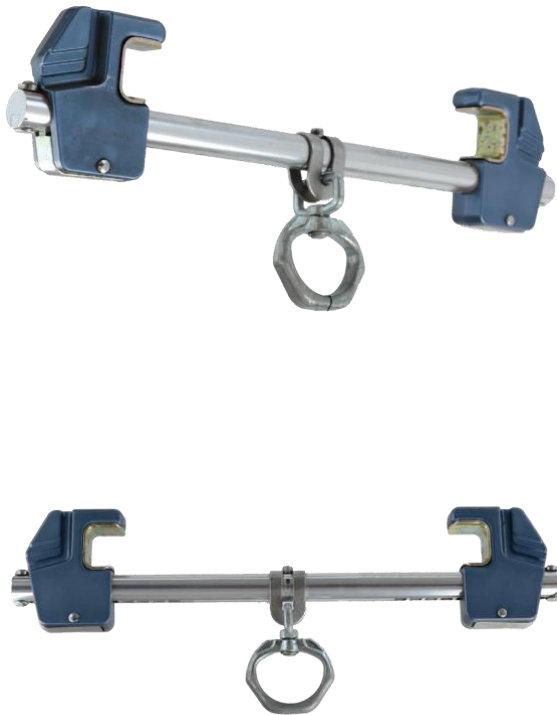
Alianna Hsieh / Account Manager

Date:October/01/2024.....

- Technical Sales Sheet: 70

Product Code: 4003

Standards: EN 795:2012 Type B





Product Features

- Dual independently sliding jaws for easy fitting
- 7075 grade aluminium construction keeps product weight to a minimum
- Large zinc plated anchor point attachment
- Dual action quick release ratchet mechanism for easy fitment
- Integated locking buttons

Product Specification

- Minimum breaking strength: 23kN
- Weight: 2kg
- Jaw material: forged aluminium alloy
- Shaft material: zinc plated steel
- Jaw finish: anodised
- I Beam flange rating: 101mm to 330mm
- Single user capacity



Beam Slider Clamp		  <p>ISO 9001:2015 Cert No.-9976-QMS-001</p>
Model	SHBS	
Description: 90 mm-455 mm Beam Slider Clamp		